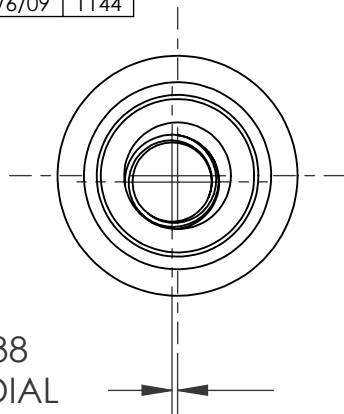
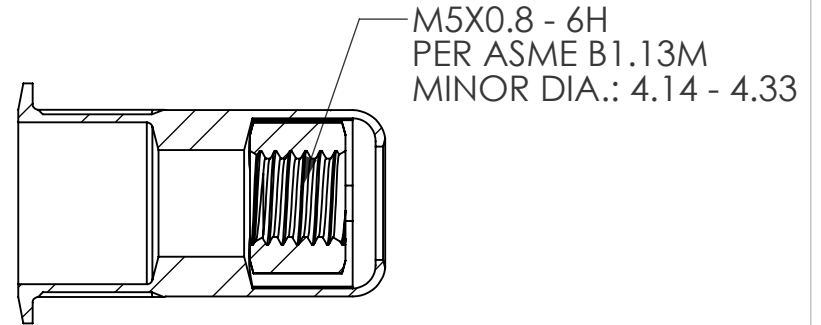
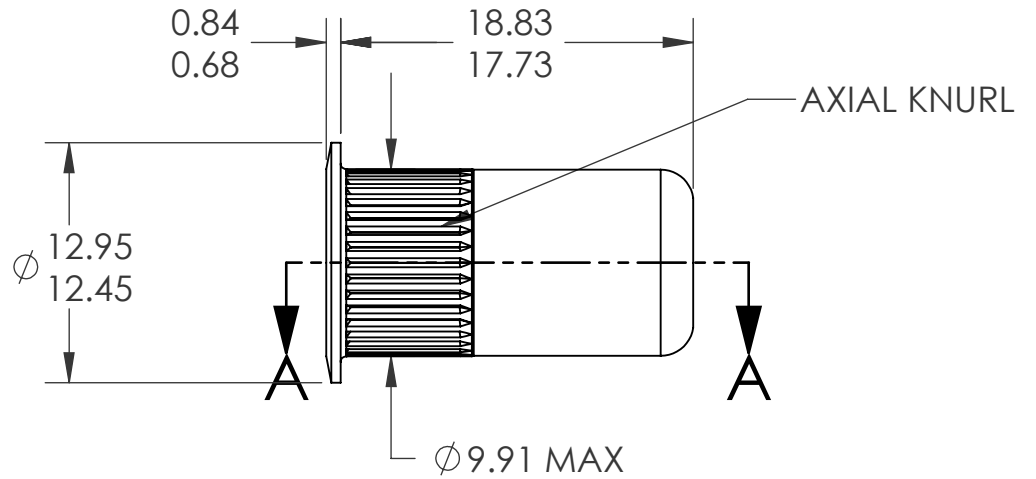
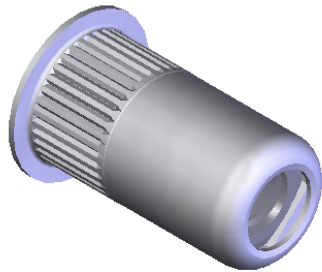


REVISIONS			
REV.	DESCRIPTION	DATE	ECN
A	INITIAL RELEASE	11/4/08	1107
B	CAHNGED ANVIL SIZE	2/6/09	1144



0.38
RADIAL
DEFLECTION



SECTION A-A


NOTE:

- GRIP RANGE: 0.7 - 3.8
- HOLE SIZE: $\varnothing 10.00 +0.15/-0.00$ AFTER ALL APPLIED FINISHES.
- INSTALLED LENGTH: 13.25 REF.
- INSTALLED THREAD DEPTH: N/A
- LUBRICATION: NONE
- INSTALLATION TOOL: MS 50 SPIN-PULL (ANVIL - MA-215-05MMRF)

U.S. PATENT NO. 7,713,011

PROPRIETARY AND CONFIDENTIAL
THIS DRAWING, AND THE INFORMATION CONTAINED HEREIN, ARE THE PROPERTY OF SHEREX AND ARE NOT TO BE USED IN ANY MANNER DETRIMENTAL TO THE INTEREST OF THE COMPANY.
SHEREX SOLUTIONS RESERVES THE RIGHT TO REVISE PART/DRAWING WITHOUT NOTICE.

		UNLESS OTHERWISE SPECIFIED:		NAME	DATE
		DIMENSIONS ARE IN MILLIMETERS TOLERANCES: ANGULAR: MACH ± 1 BEND ± 1 ONE PLACE DECIMAL ± 0.10 TWO PLACE DECIMAL ± 0.05	DRAWN	JVK	11/3/08
		INTERPRET GEOMETRIC TOLERANCING PER: ASME Y14.5M-1994	CHECKED		
		MATERIAL BODY: C1008/1010 NUT: MED. CARBON STEEL	ENG APPR.	JVK	11/4/08
		FINISH BODY AND NUT: ZINC PLATE W/ CLEAR TRIVALENT CHROMATE RoHS COMPLIANT: 8-12 um	MFG APPR.	AP	11/13/08
NEXT ASSY	USED ON		Q.A.		
			COMMENTS:		
			E-mail: info@sherex.com www.sherex.com Phone: 866-474-3739 Fax: 716-875-0358		
APPLICATION		DO NOT SCALE DRAWING			

		TITLE:	
		LARGE FLANGE RIV-FLOAT	
SIZE DWG. NO.		REV	
A	RFL2-580-3.8	B	
SCALE: 2:1	WEIGHT: .0053 kg	SHEET 1 OF 1	